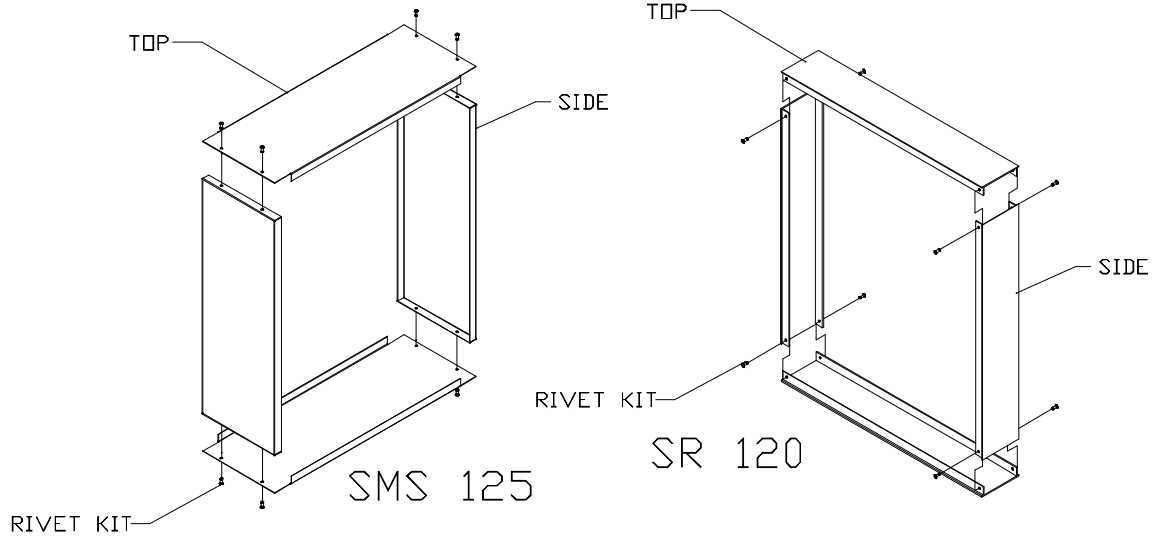


COLLAR KIT

SURFACE MOUNT SMS125/SEMI-RECESSED MOUNT SR120



AUTH AF FLORENCE
MANUFACTURING COMPANY
5935 CORPORATE DRIVE
MANHATTAN KANSAS 66503
CS5093 11/15/04