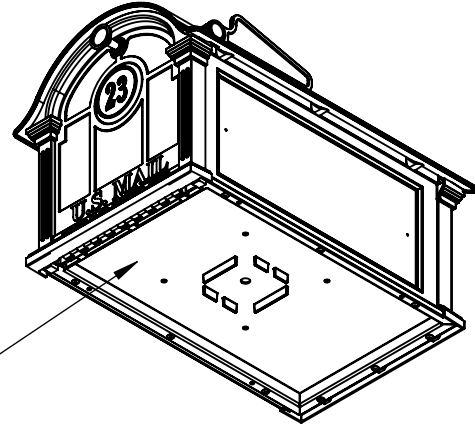


2

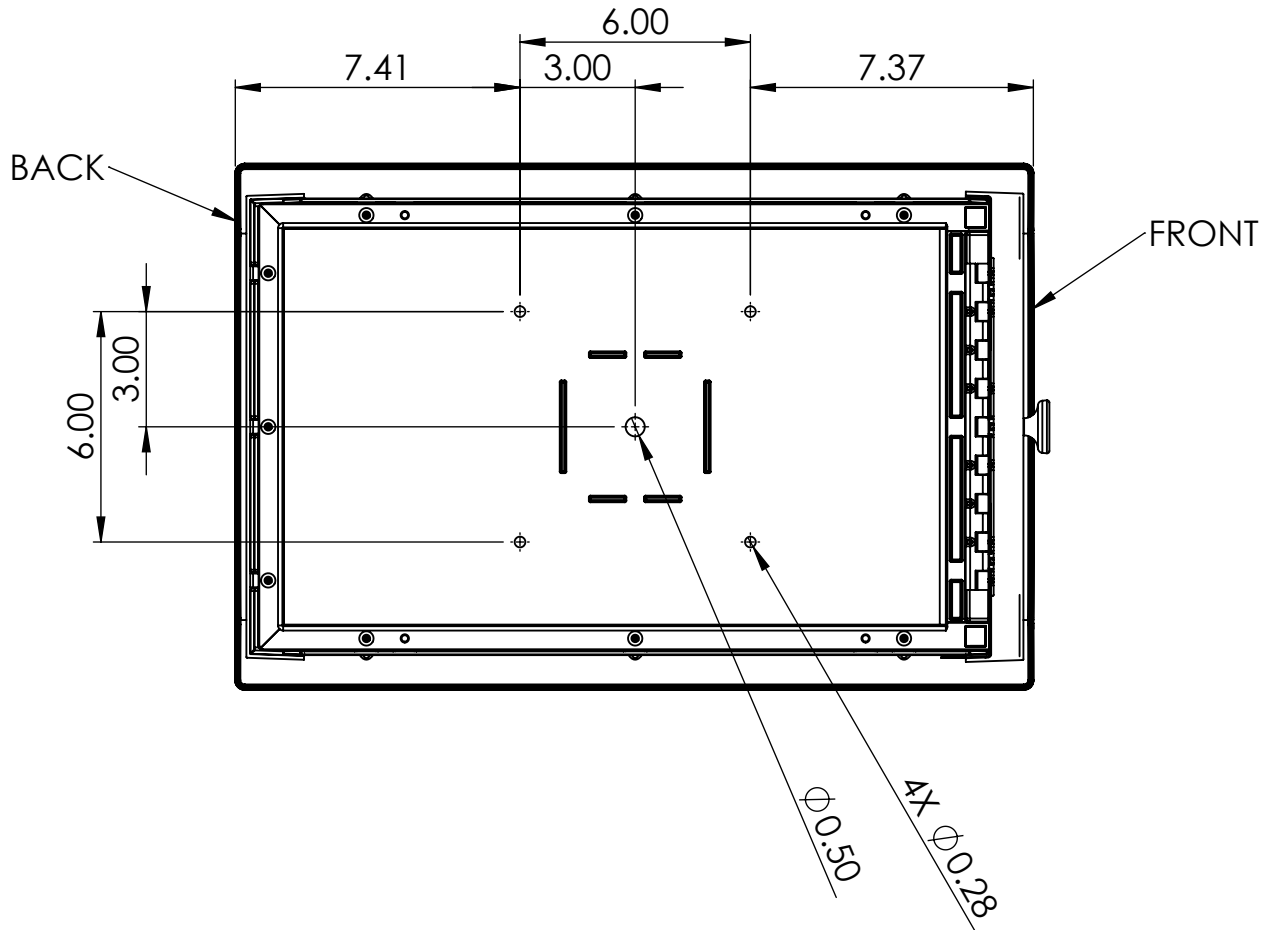
1

B

B



BOTTOM PANEL RECESSED APP.  
1.00 IN. FROM SIDES/BACK



A

A

**PROPRIETARY AND CONFIDENTIAL**  
THE INFORMATION CONTAINED IN THIS DRAWING IS THE SOLE PROPERTY OF <COMPANY NAME>. ANY REPRODUCTION IN PART OR AS A WHOLE WITHOUT THE WRITTEN PERMISSION OF <COMPANY NAME> IS PROHIBITED.

		DIMENSIONS ARE IN INCHES TOLERANCES: FRACTIONAL ± ANGULAR: MACH ± BEND ± TWO PLACE DECIMAL ± THREE PLACE DECIMAL ±	NAME	DATE
		MATERIAL	DRAWN	
		FINISH	CHECKED	
NEXT ASSY	USED ON		ENG APPR.	
			MFG APPR.	
APPLICATION	DO NOT SCALE DRAWING		Q.A.	
			COMMENTS:	

WHITEHALL PRODUCTS, LLC

**BALMORAL MB  
BASE HOLES**

SIZE	DWG. NO	REV.
<b>A</b>	NP106_ASM_R001	
SCALE: 1:5	WEIGHT:	SHEET 1 OF 1

2

1