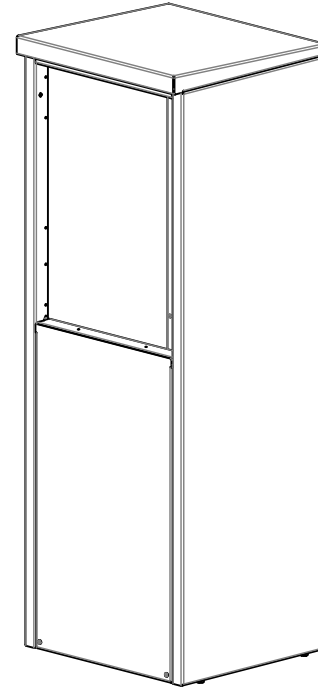
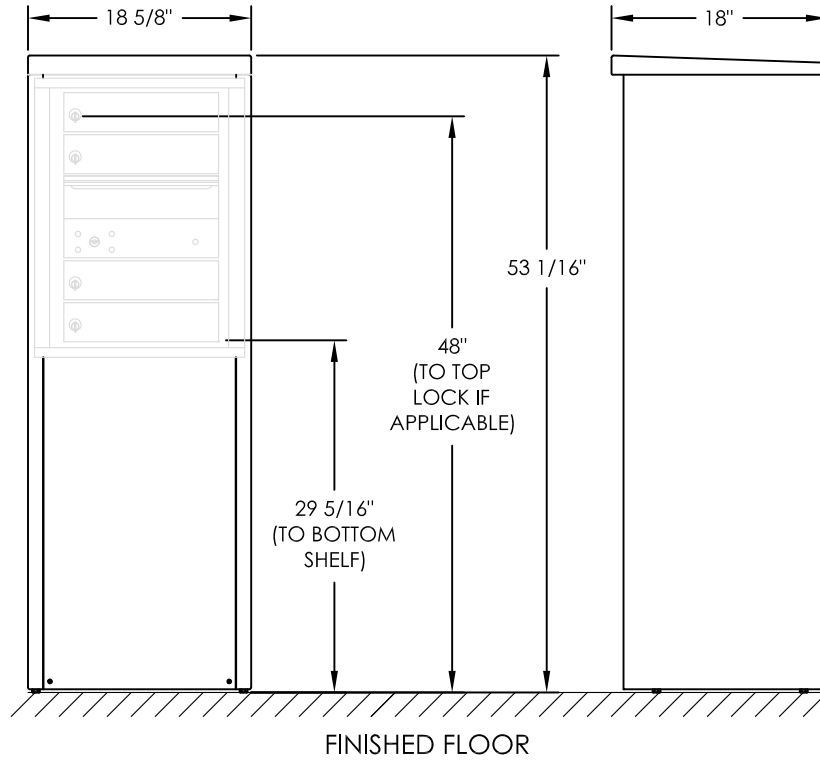


versatile™ 4C Depot, DEP06S

Shown with 4C  
for dimensional  
reference only.

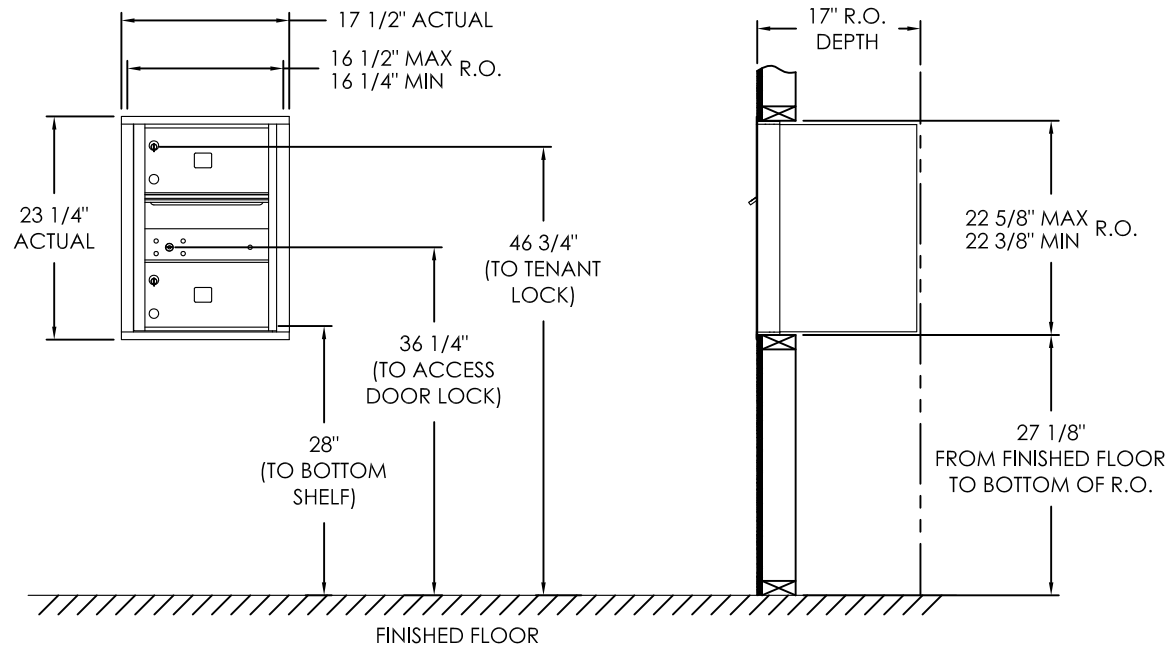


NOTES:

1. Depot cabinet design ensures compliance with USPS STD-4C mailbox installation regulations.
2. Accommodates all 4C front-loading single-column 6-High modules.
3. Depot cabinet assembled complete in factory.
4. Depot ships complete with 4C front-loading module installed.
5. May be installed outside or inside - see foundation specification details in installation manual.

|                                     |                         |
|-------------------------------------|-------------------------|
| PRODUCT SERIES: VERSATILE™ 4C DEPOT |                         |
| MODEL DEP06S                        | REV -                   |
| SCALE 1:16                          | LAST REV DATE 10/6/2020 |
| DRAWING NUMBER DEP06SCS             | DRAWN BY NBC            |

# versatile™ 4C Mailbox, 4C06S-02



## COMPARTMENT CHART

| DESCRIPTION   | COMPARTMENT | COMPARTMENT SIZE         | QTY. |
|---------------|-------------|--------------------------|------|
| MAILBOX       | MB2         | 6-1/2" H x 12" W x 15" D | 2    |
| OUTGOING MAIL | OM2         | 6-1/2" H x 12" W x 15" D | 1    |

### Notes:

- This module meets the USPS STD-4C requirements for installation defined below when the mailbox is installed per the dimensions provided on this drawing.
  - At least one customer compartment shall be positioned less than 48" above finished floor (AFF).
  - No parcel locker (interior bottom shelf) shall be positioned less than 15" AFF.
  - No patron (tenant) lock shall be positioned more than 67" AFF.
  - No customer compartment (interior bottom shelf) shall be positioned less than 28" AFF.
  - The USPS Arrow lock shall be positioned 36"- 48" AFF.
- This 4C mailbox can also be used for private applications.
- The rough opening width for multi-unit 4C installations is provided using the Florence configurator: [www.florencemailboxes.com/configurator](http://www.florencemailboxes.com/configurator).

PRODUCT SERIES: VERSATILE™ 4C FRONT LOAD MAILBOX

|                |            |               |          |
|----------------|------------|---------------|----------|
| MODEL          | 4C06S-02   | REV           | C        |
| SCALE          | NONE       | LAST REV DATE | 06/28/19 |
| DRAWING NUMBER | 4C06S-02CS | DRAWN BY      | RAK      |